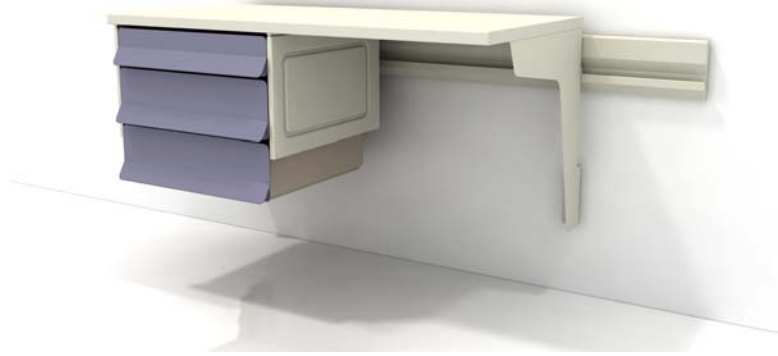


U CELL



UNICELL Product Information Summary

- Description & Benefits
- Features & Properties
- Configurations & Specification
- Comparison to a 9 Module Cell
- Installation
- How to Order

Description & Benefits



- The Unicell U Cell is a one-piece molded storage unit that is designed to accept other Unicell components and accessories.

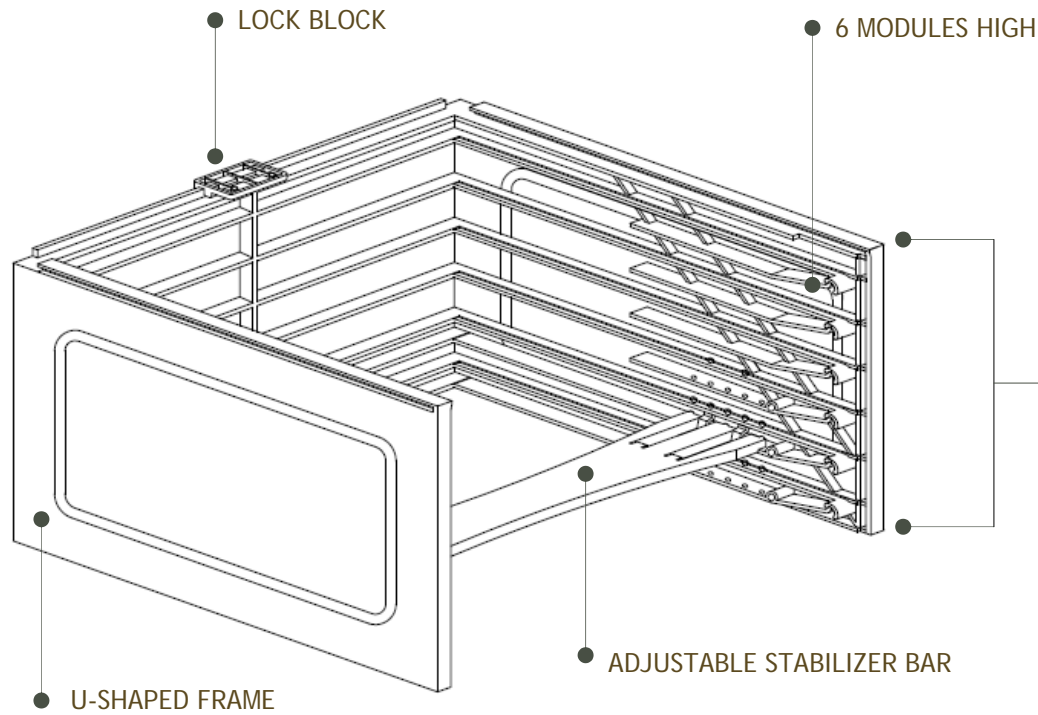
The U Cell is structurally supported by a Unicell Modular Work Surface.

It is classified as a Cell, but has its own unique qualities as compared to regular Cells.

Key Benefits

- combines the versatility of storage while being cost effective
- lightweight, non-brittle material
- follows Unicell's logic of interior modules for ability to accept existing Interior Components
- removeable from Work Surface for ease of cleaning
- addresses infection control

Features & Properties

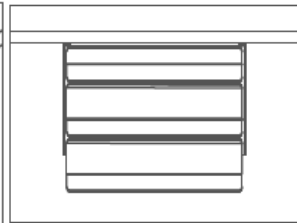
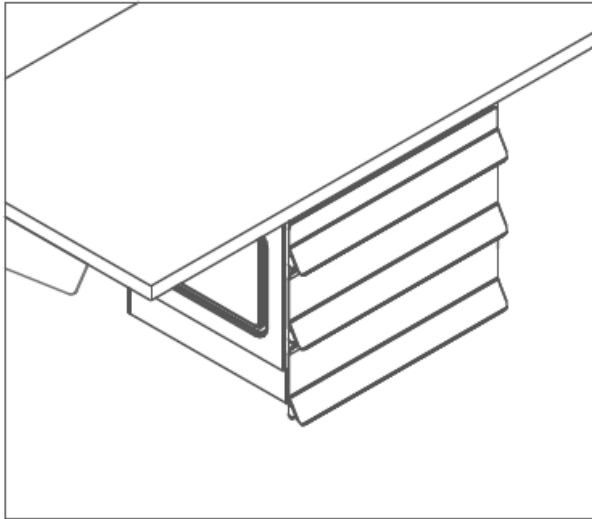


MATERIAL	POLYPROPYLENE, 13% GLASS FIBER
DIMENSIONS	21-1/4" W X 13-1/2" H X 20-1/2" D
PRODUCT CODE	CUD-XXX (XXX denotes color of finish)
FINISHES	001-CHAMPAGNE, 003-GRAY, 024-SILENT WHITE
WARRANTY	10 Years
CLEANABILITY	SAME AS CELLS



* ALL MOUNTING HARDWARE AND PARTS & PIECES ARE INCLUDED WITH EVERY SHIPMENT OF THE U CELL.

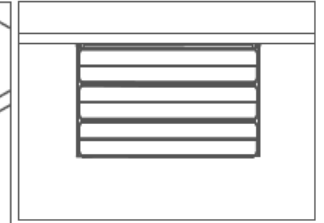
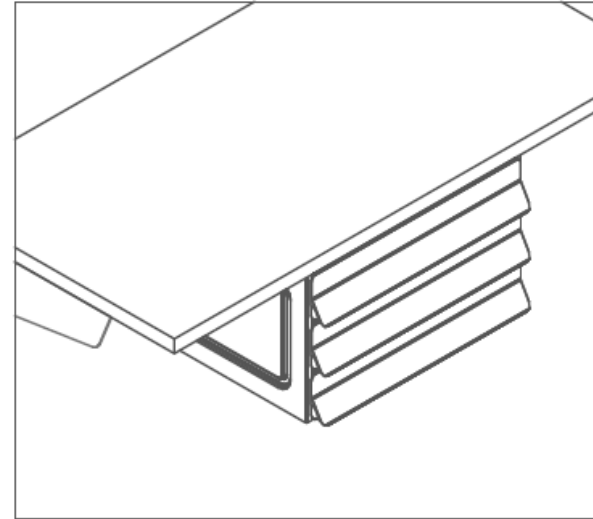
Configurations & Specifications



DRAWERS

2 Module
3 Module
3 Module

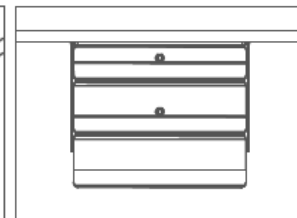
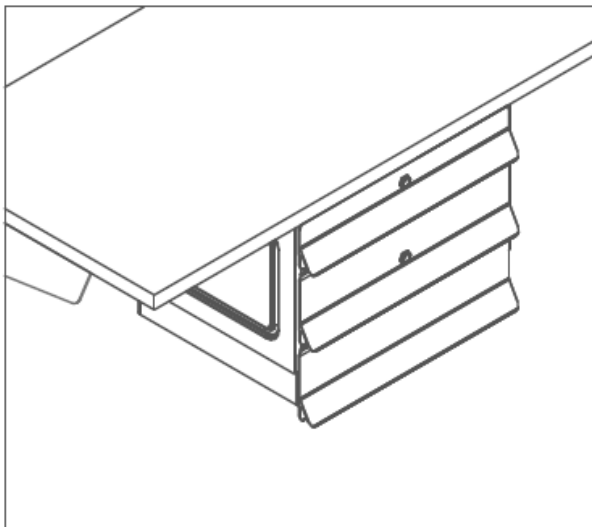
8 Modules TOTAL
of Storage



DRAWERS

2 Module
2 Module
2 Module

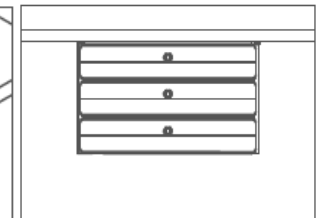
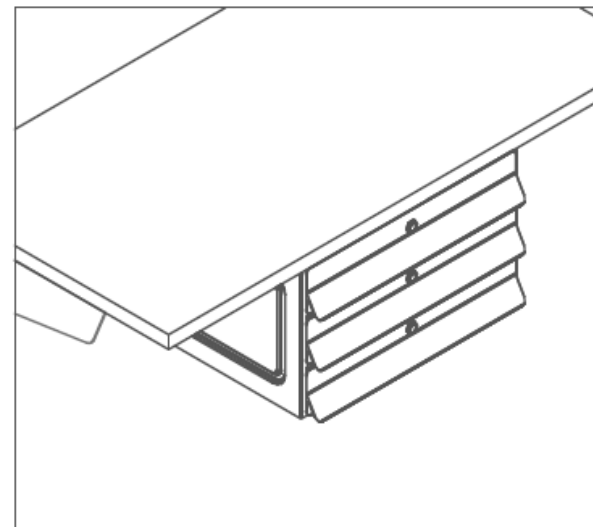
6 Modules TOTAL
of Storage



LOCKING DRAWERS

2 Module
3 Module
3 Module

8 Modules TOTAL
of Storage

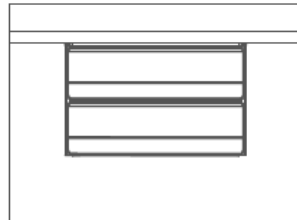
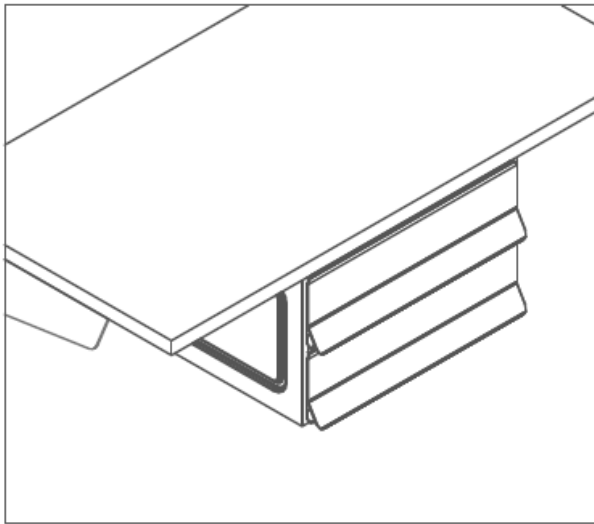


LOCKING DRAWERS

2 Module
2 Module
2 Module

6 Modules TOTAL
of Storage

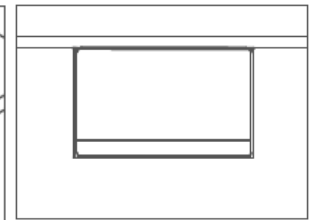
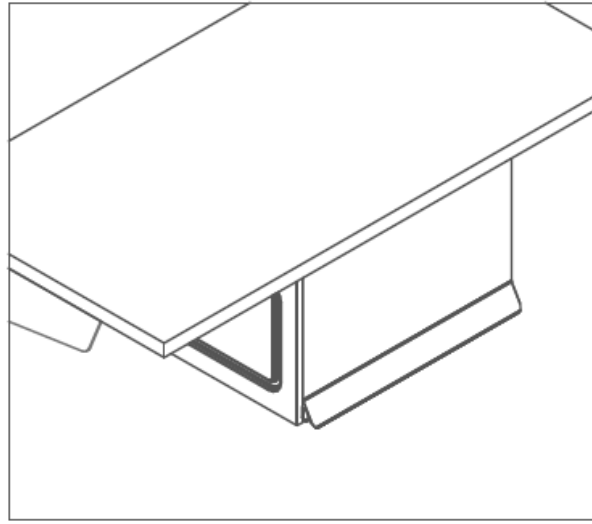
Configurations & Specifications



DRAWERS

3 Module
3 Module

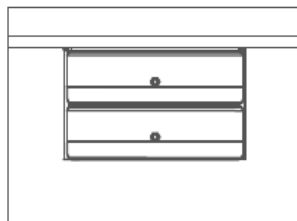
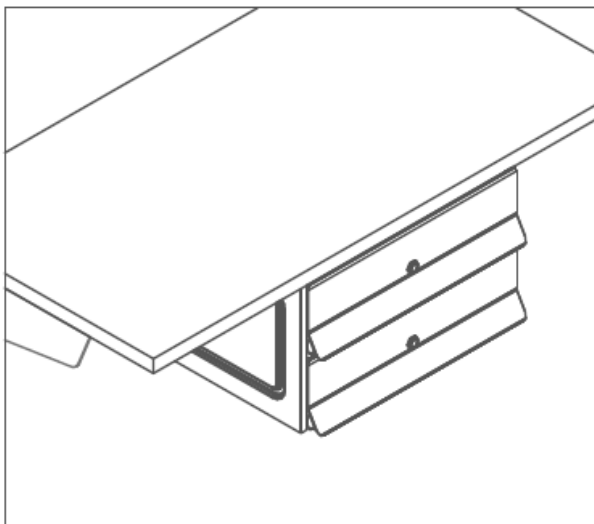
6 Modules TOTAL
of Storage



LIFT FRONT + TRAYS

6 Module LIFT FRONT
***5 Modules** of TRAYS or SHELVES

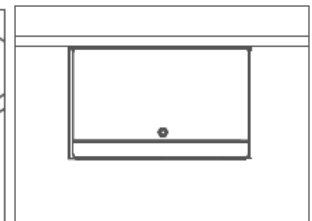
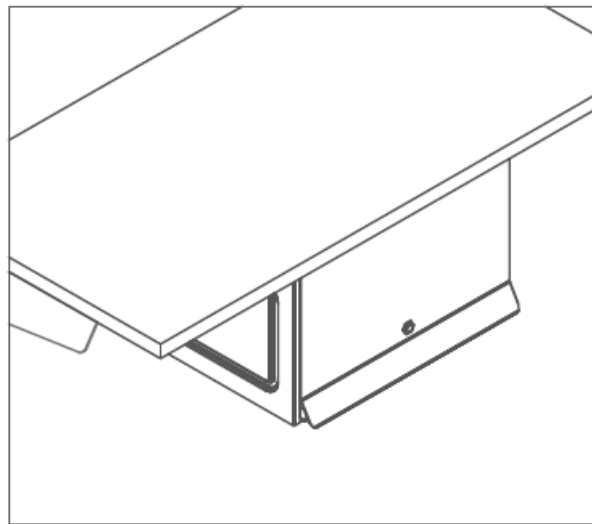
5 Modules TOTAL
of Storage



LOCKING DRAWERS

3 Module
3 Module

6 Modules TOTAL
of Storage



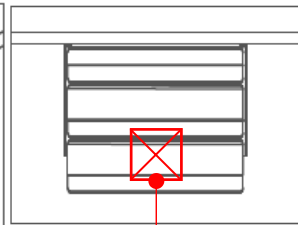
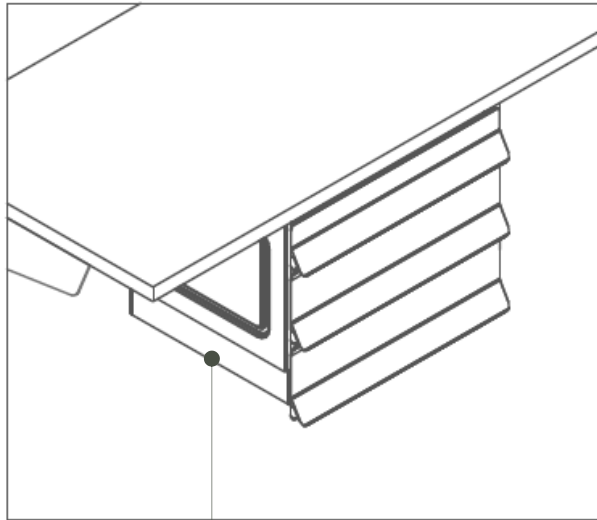
LOCKING LIFT FRONT + TRAYS

6 Module LIFT FRONT
***5 Modules** of TRAYS or SHELVES

5 Modules TOTAL
of Storage

* only 5 Modules of Storage allowed for Trays or Shelves since the Lift Front requires the use of 1 Module as part of its operability.

Configurations & Specifications



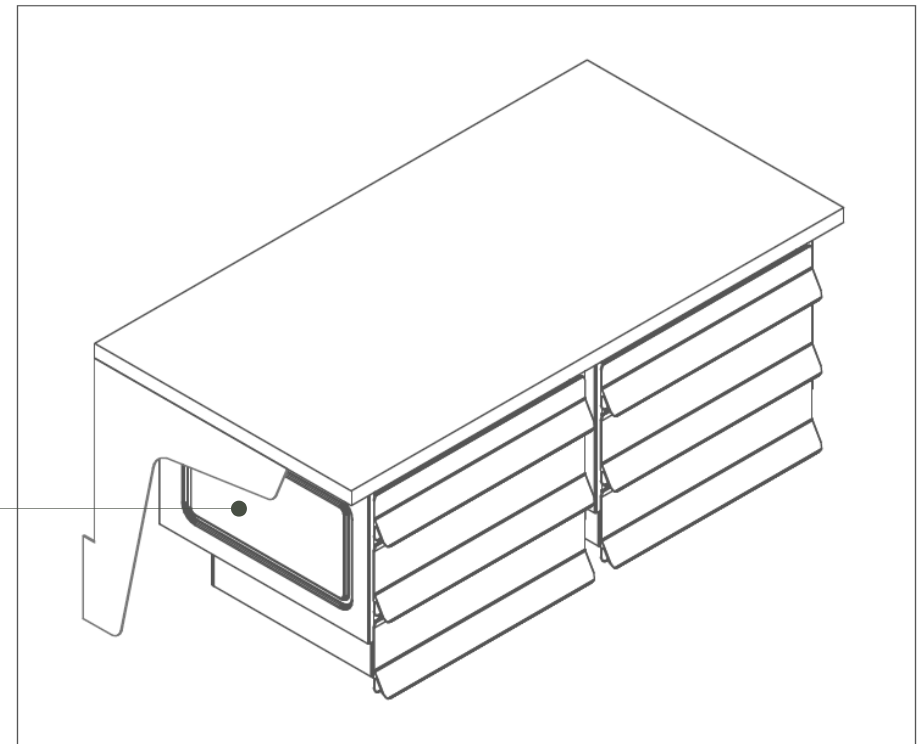
A 3-MODULE DRAWER PLACED IN THE VERY BOTTOM U CELL MODULE CANNOT BE SPECIFIED AS LOCKING.



● IT IS ACCEPTABLE FOR 2-MODULE AND 3-MODULE DRAWERS TO BE MOUNTED IN THE BOTTOM U CELL MODULE.

THE DRAWER BOTTOM WILL THEN EXTEND PAST THE BOTTOM OF THE U CELL FOR INCREASED STORAGE CAPACITY.

● TWO U CELLS CAN BE MOUNTED SIDE BY SIDE UNDERNEATH A 48" WIDE WORK SURFACE.



Comparison to 9 Module Cell

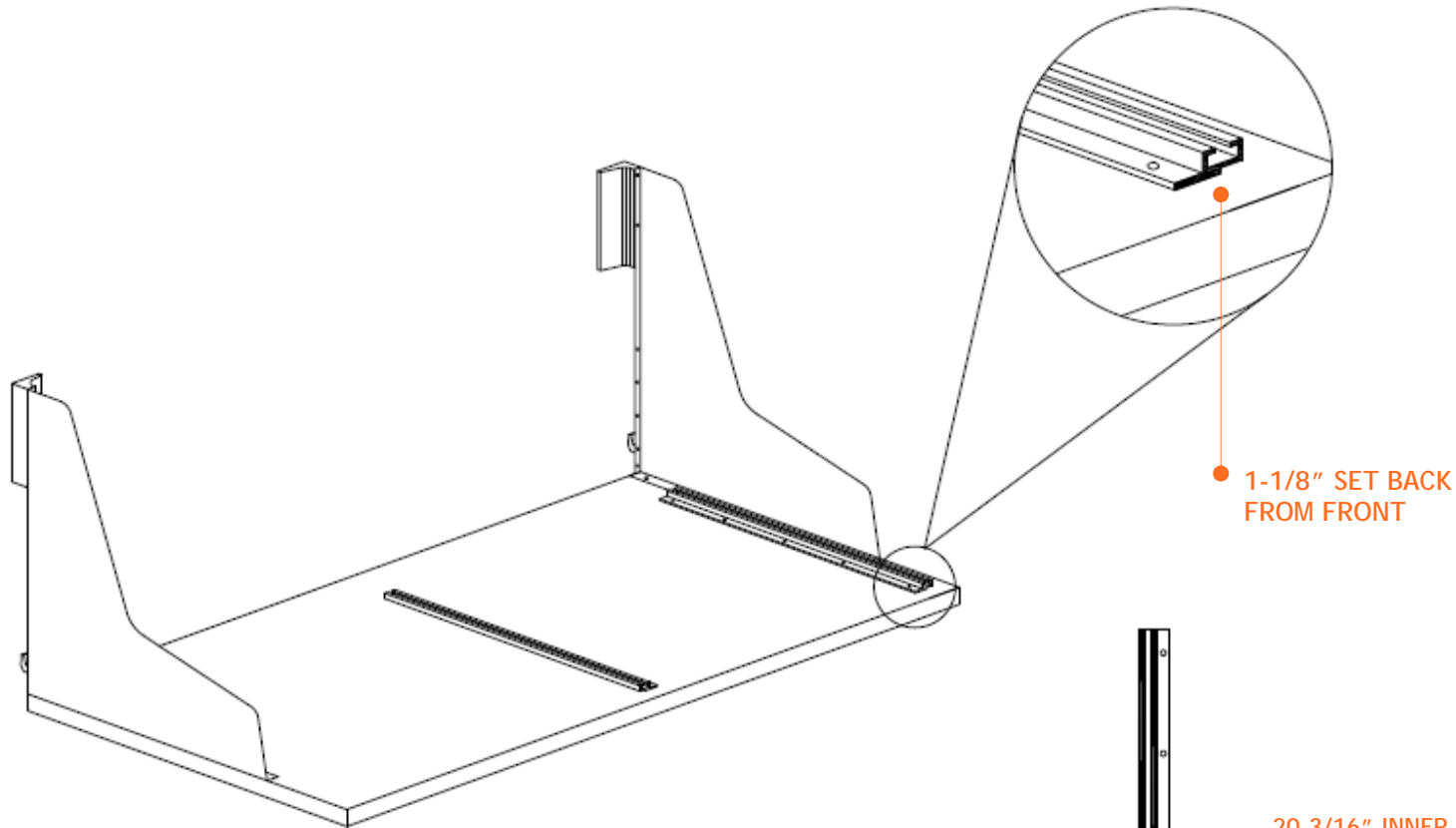


WEIGHT	13 LBS
STORAGE CAPACITY	MAXIMUM: 8 MODULES TOTAL
ENCLOSURE OPTIONS	DRAWERS or 6 MODULE LIFT FRONTS
INSTALLATION	TRACK MOUNTED UNDER WORK SURFACE, INSTALL HARDWARE
EASE OF RECONFIGURE	TRACK REMOVED AND RE-INSTALLED TO NEW LOCATION
FINISH OPTIONS	CHAMPAGNE, GRAY, SILENT WHITE
PERFORMANCE	DURABLE, LONG-LASTING, EASE OF CLEANING
WARRANTY	10 Years

WEIGHT	50 LBS
STORAGE CAPACITY	9 MODULES TOTAL
ENCLOSURE OPTIONS	DRAWERS, LIFT FRONTS, ROLL FRONTS, HINGE FRONTS
INSTALLATION	MOUNTING KEY, STANDOFF KEY
EASE OF RECONFIGURE	LIFT & REMOVE, RE-HANG ONTO RAIL
FINISH OPTIONS	CHAMPAGNE, GRAY, SILENT WHITE
PERFORMANCE	DURABLE, LONG-LASTING, EASE OF CLEANING
WARRANTY	LIFETIME

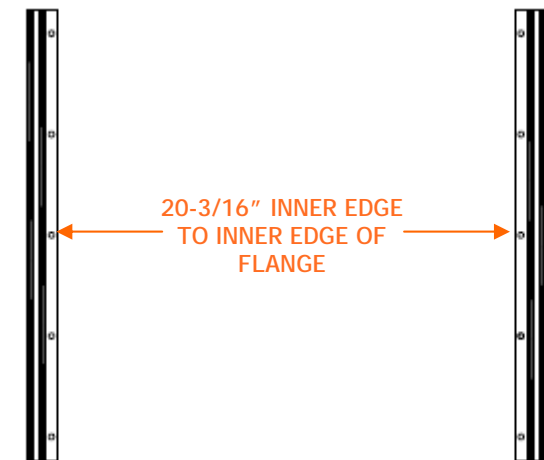
U CELL

Installation



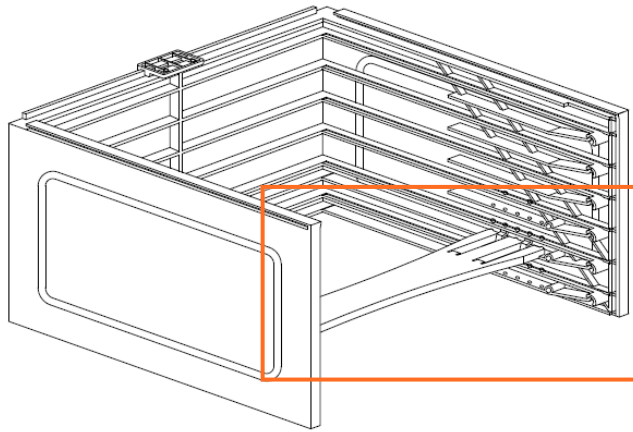
INSTALLATION SEQUENCE

- 1 Place work surface upside down on a clean, level surface.
- 2 Attach work surface cantilever brackets flush with side edges of work surface.
- 3 Secure the aluminum u-channels. The flange on the u-channel should face the inside of the U Cell and mounted $20\text{-}3/16''$ apart (as shown). The u-channels are to be mounted $1\text{-}1/8''$ from the front edge of the work surface.
- 4 Use #8 x 1" screws in the flange and #6 x 1" in u-channel if the work surface has a wood substrate (plastic laminate, chemical resistant laminate, and stainless steel), OR $3/4''$ L screws if the work surface is phenolic (always drill pilot holes and use oil when inserting screws into phenolic).



PLAN VIEW: U-CHANNELS

Installation



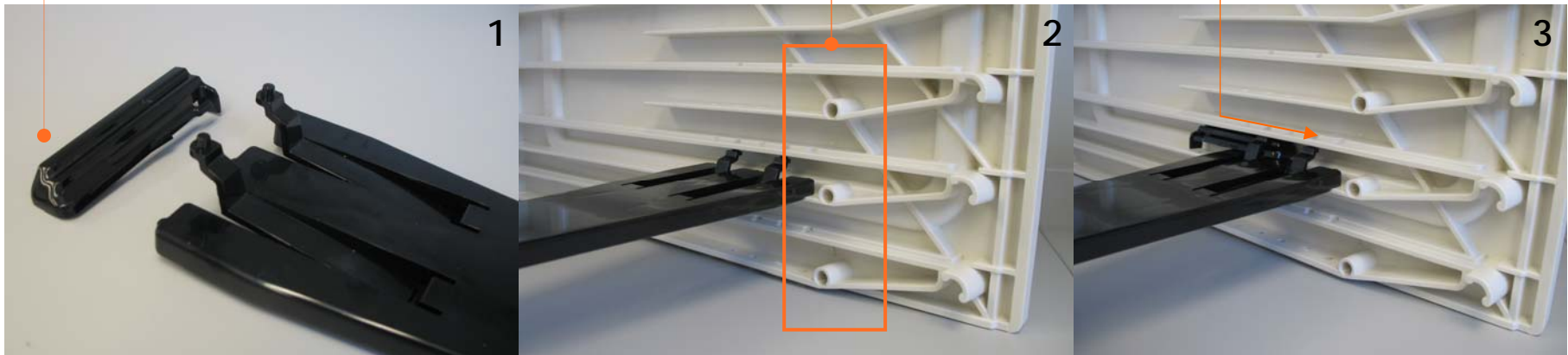
INSTALLATION SEQUENCE (CONTINUED)

- 5 Determine install position of Stabilizer Bar (potential of three positions) based on the U Cell's configuration of Interior Components.
- 6 Place Stabilizer Bar into U Cell as shown in photo #2 above.
- 7 Slide Stabilizer Clips (left and right) into place from the back of the Stabilizer.

● STABILIZER CLIP

● 3 POTENTIAL POSITIONS

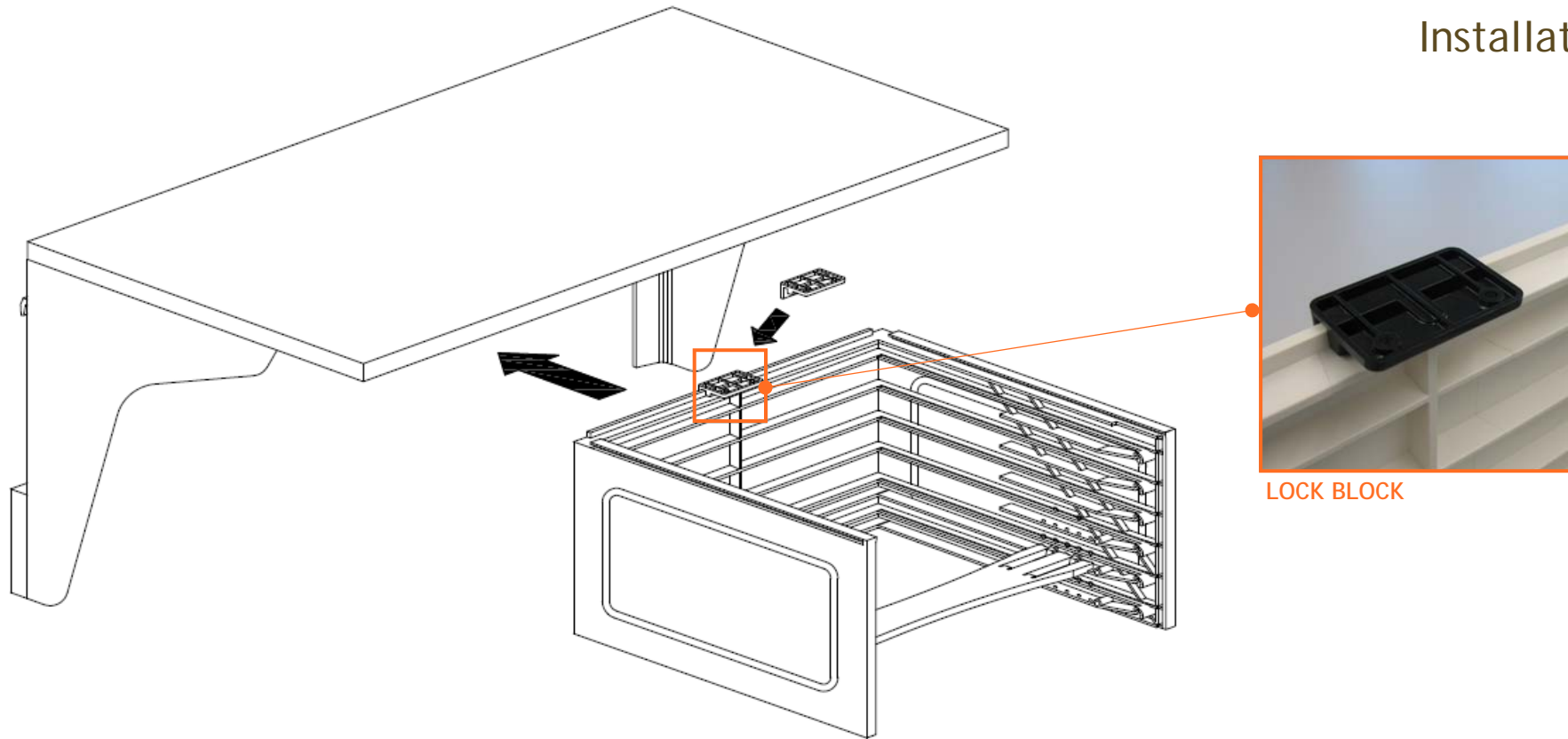
● STABILIZER CLIP



TO REMOVE STABILIZER BAR:

- 1 DEPRESS THE CLIP'S TAB AND SLIDE THE CLIP BACK AND OUT.
- 2 DEPRESS THE TABS LOCATED ON THE LEFT & RIGHT ENDS OF THE STABILIZER BAR.

Installation



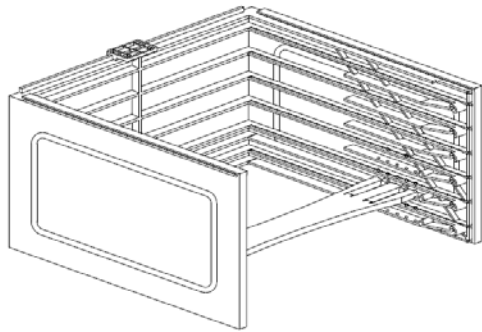
INSTALLATION SEQUENCE (CONTINUED)

- 8 Turn over work surface and hang on Unicell Rail.
- 9 Place the Lock Block over the center back of the U Cell (shown above).
- 10 Slide the U Cell into the aluminum u-channels until the front rests against the u-channel.
- 11 Secure the Lock Block to the underside of the work surface with #10 x 1-1/4" screws if using work surface with a wood substrate (Plastic Laminate, Chemical Resistant Laminate, or Stainless Steel), OR #10 x 1" screws if using a Phenolic work surface (drill pilot holes and use oil when inserting screws into phenolic).



U CELL

How to Order



ORDER THE U CELL DIRECT WITH UNICELL:

ORDER CODES:

CUD-001 (CHAMPAGNE)

CUD-003 (GRAY)

CUD-024 (SILENT WHITE)

INCLUDES ALL PARTS,
PIECES, & HARDWARE

PRODUCT OR SPECIFICATION INQUIRIES:

Ole Andersen

General Manager | Unicell Inc.

E: oandersen@unicellinc.com | Direct: +01 (1) 604.587-3519 | Cell: +1 (1) 604 329-6677

Vancouver, Canada | www.unicellinc.com

