

Unicell®



Modular Counter Tops & Mobile Work Surfaces

Responsive. Durable.

Unicell height adjustable modular counter tops, sink adaptable modules and freestanding table work surfaces are available in a variety of materials, finishes and edge details.

Unicell work surfaces continually respond to your changing needs. You can easily reconfigure your modular work surfaces again and again.

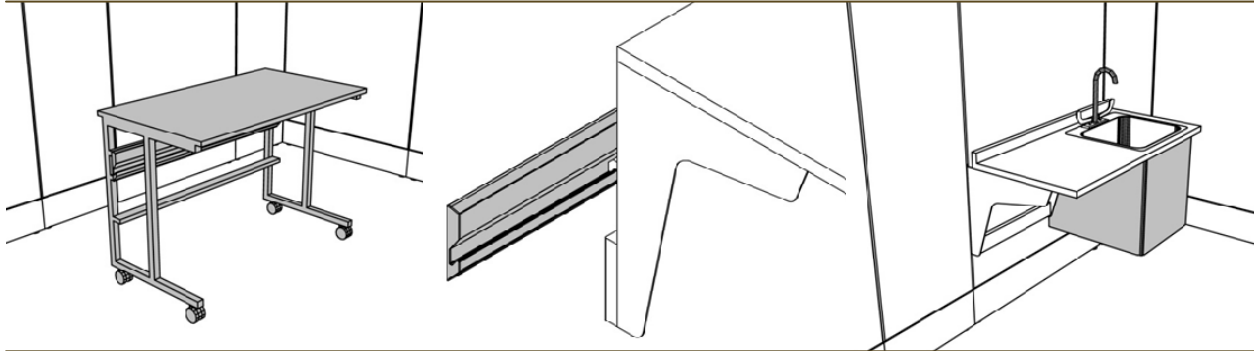
Our design mandate is to create simple, durable, flexible and ergonomically correct products that enable you to create a safe, efficient and welcoming environment.



UNICELL is a registered trademark
of Unicell Distributors Ltd.

Unicell®

Created specifically to meet the exacting requirements of today's health care providers.



MATERIALS

- Plastic Laminate
- Chemical Resistant Plastic Laminate
- Stainless Steel
- Phenolic Resin Core

EDGE DETAILS

- 3mm / 1mm Edgeband
- Stainless Steel Back Retainer Edge
- Back Splash

DIMENSIONS (Rail Hung & Panel Hung Work Surfaces)

DEEP

- 25"/30"

WIDE

- 24"/30"/36"/42"/48"/60"/72"/96"

DIMENSIONS (Mobile Work Surface)

DEEP

- 30"

WIDE

- 52"/76"

RAIL HUNG MODULAR WORK SURFACES

- Counter tops are 1-1/4" thick (phenolic resin core 1")
- Mounts on Unicell rail with cantilever support brackets.
- 5 key positions on work surface cantilever provide height adjustment from nominal 28" to 36-1/2"
- Load Capacity: 50 pounds of evenly distributed weight per linear foot.

PANEL MOUNTED WORK SURFACES

- Counter tops are 1-1/4" thick (phenolic resin core 1")
- Mounts on panel cantilever support brackets for Haworth® Compose® system.
- Height adjustable on 1" increments.
- Load Capacity: 50 pounds of evenly distributed weight per linear foot.

MOBILE WORK SURFACE

- Counter tops are 1-1/4" thick (phenolic resin core 1")
- 38" high (standard)
- Support frame is a rectangular tubular steel frame.
- Casters are 3-1/2" diameter medium duty, non-marking (4 swivel casters with wheel brakes).
- Load Capacity: 100 pounds of evenly distributed weight per linear foot.



UNICELL is a registered trademark
of Unicell Distributors Ltd.